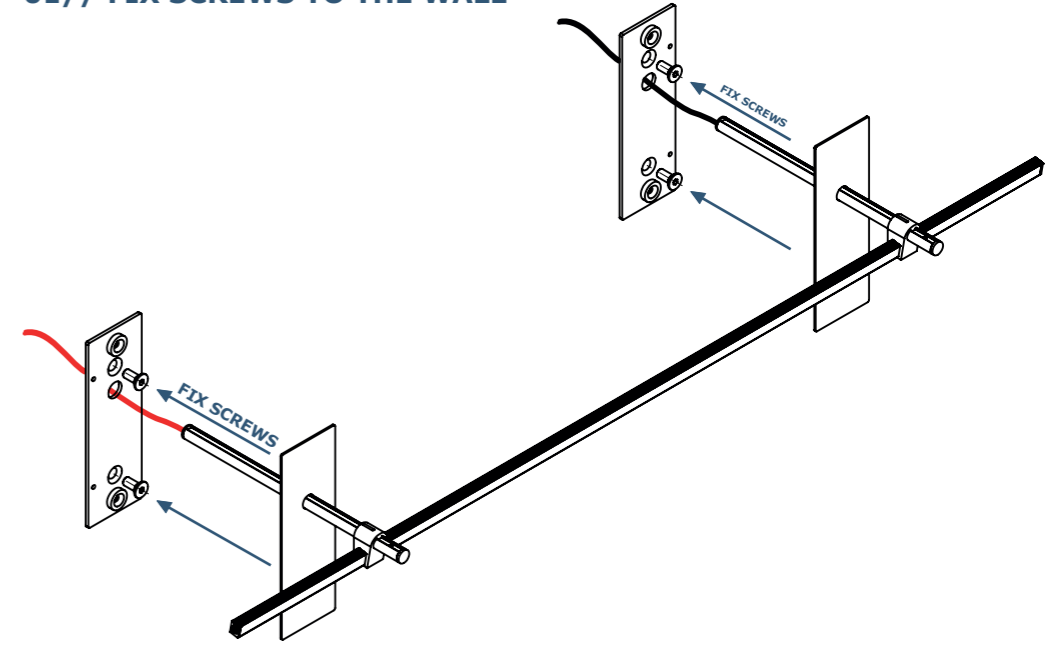


01// FIX SCREWS TO THE WALL



02// ADAPT METAL PLATES ON MAGNETS

